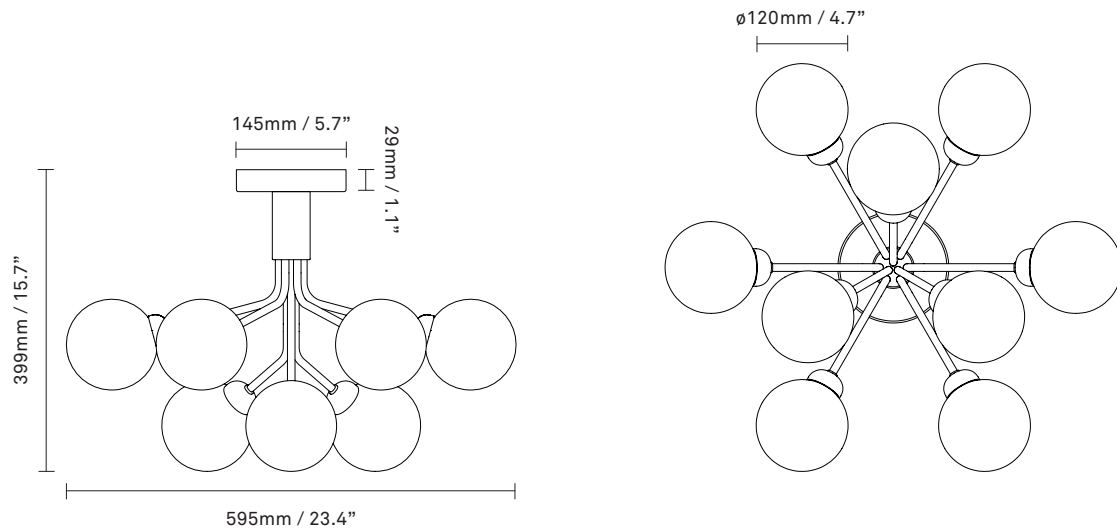


NUURA



APIALES 9 CEILING
brushed brass / opal

Design: Sofie Refer, 2019



Apiales 9 Ceiling in mouth-blown opal white glass and brushed brass finish.

Explore the rest of the Apiales collection on our website, [here](#)

Product no.: EU - 2059002 / US - 3059002

Certifications: CE, ETL, IP20, Class I

Type: Ceiling light - indoor

For information about IP ratings, click [here](#)

Colour: Glass: opal white / Metal: brushed brass

Cleaning: Use a soft dry cloth to clean the product.
Do not use household cleaners.

Materials: Anodized metal, mouth-blown glass

Dimensions: W: 595mm / 23.4in x H: 399mm / 15.7in
Ceiling plate: D145 mm / 5.7in
Glass: ø120mm / 4.7in

Light source: Socket: G9
Max wattage: 5W LED
Voltage (V): 220-240V / 120V

Weight: Armature + glass: 3990 g

See recommended light source [here](#)

Packaging: Dimensions: L: 515mm x W: 515mm
x H: 465mm
Weight: 2686 g
Total weight incl. product: 6676 g
Number of parcels: 1
Material: Brown cardboard.

Light source not included

Dimmable if installed with appropriate dimmable LED light source(s) suitable for your dimmer circuit.

Light source can be added to delivery on request or via our webshop [nuura.com](#).

Works with appropriate lighting control module. Module can be added to delivery on request.

Find our recommendations [here](#)